

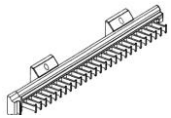
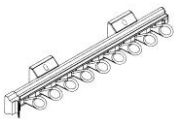
# Stock Wardrobe Accessories

# Assembly Instruction


## Before you start

1. Check the packing and make sure you have all the parts & fittings listed. If not, call our after-sales service team for assistance, we will soon deliver you the missing parts.
  2. When you are ready to start, make sure that the right tools are to hand, plenty of space and a clean dry area for assembly.
- 

## Parts List

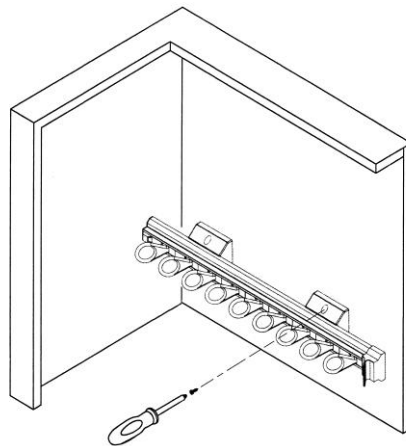
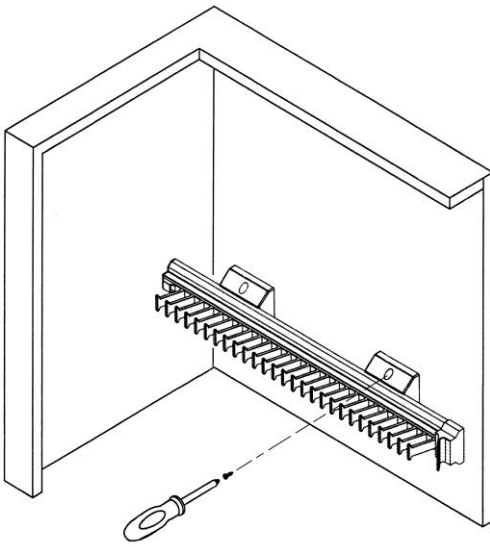
Ref	Description	Illustration	Qty
A	Tie Rack		1
B	Scarf & Belt Rack		1

## Fitting List

Ref	Description	Illustration	Qty
S	Screw		4

## Assembly Process

Fix the spacers/blocks into the side panel of the wardrobe.  
Make sure the holes are level



## Care & Use

1. Maximum load weight 8kg
  2. Wipe clean with a soft damp cloth, Never use scourers, abrasives or chemical cleaners.
  3. Keep the slides get rid of water to protect the slides thus make sure the smooth sliding.
  4. For help and assistance, please contact our after-sales services team.
- 

## TVILUM-SCANBIRK

australia new zealand pty ltd

PO Box 803 Woollahra NSW 1350

tel.: +61 2 9756 6922 fax: +61 2 9756 6933 email: tvilum@tvilum.com.au

Visit us at [www.stockwardrobe.com.au](http://www.stockwardrobe.com.au)